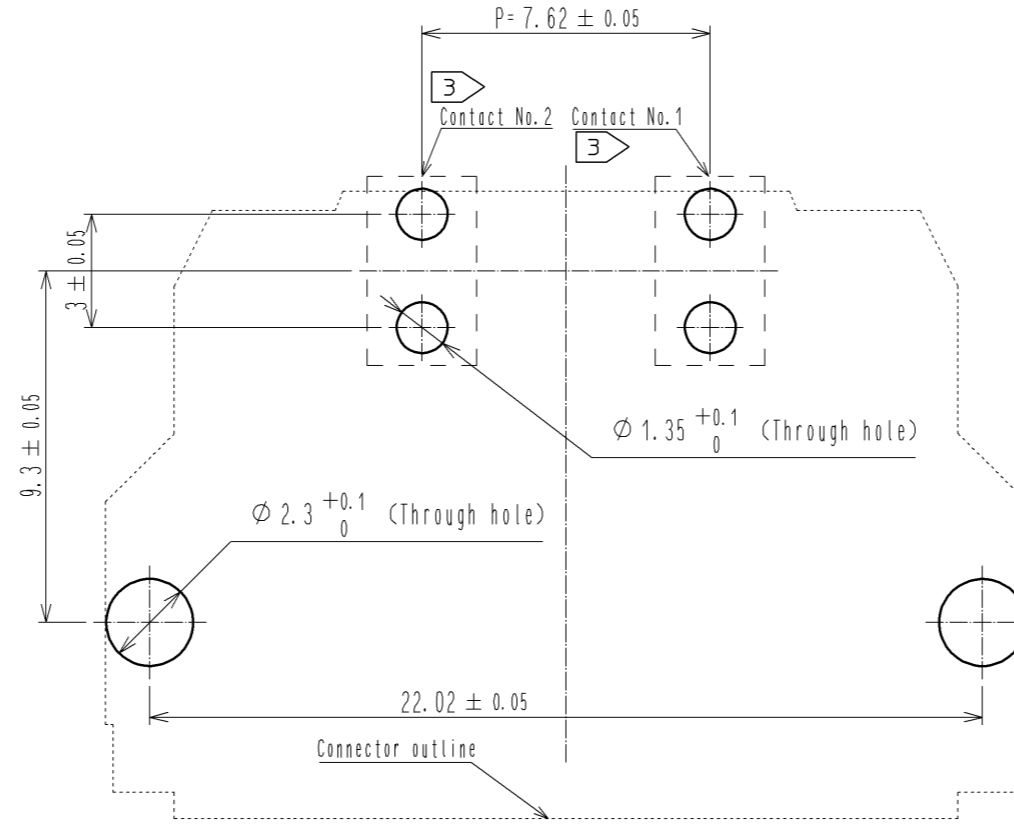


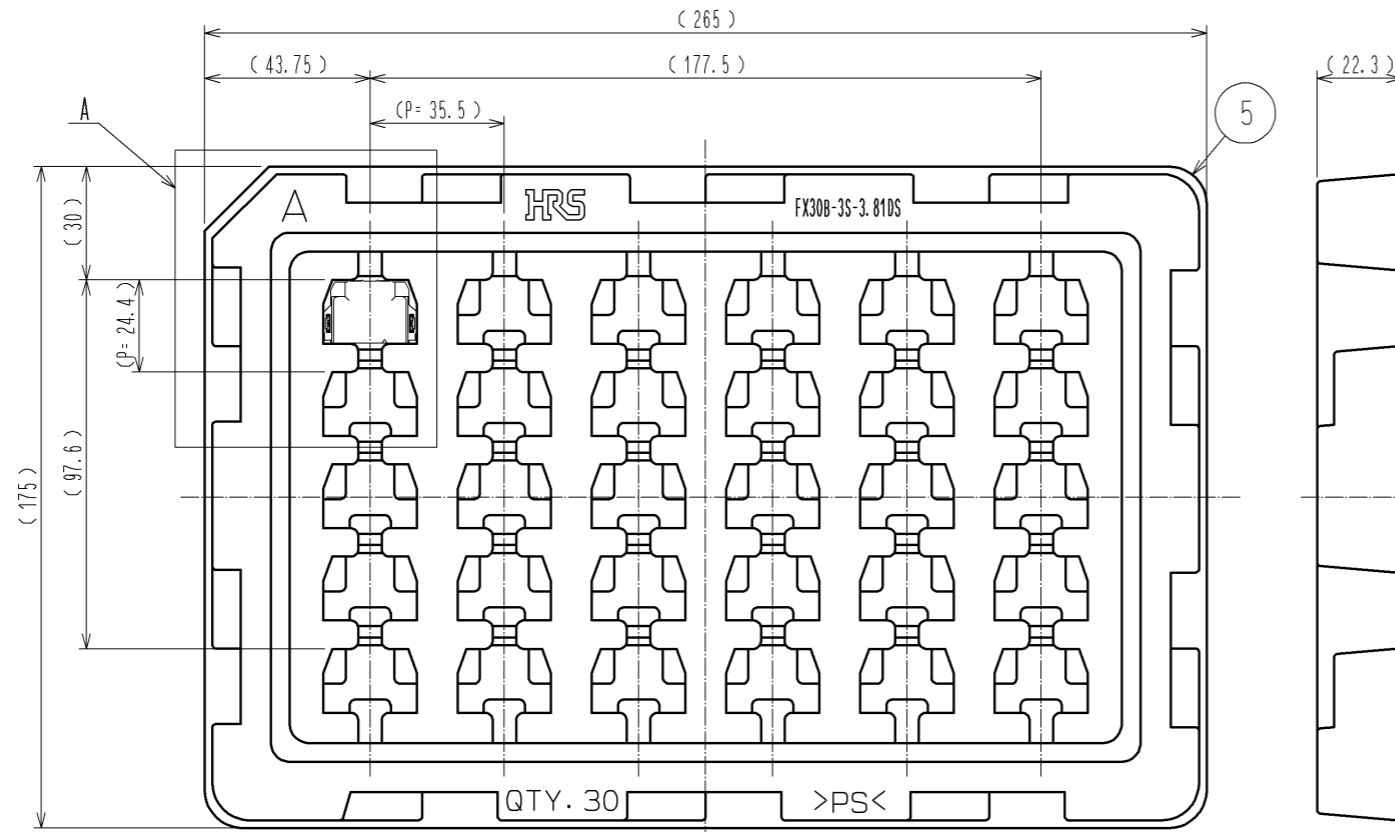
- NOTE
- 1 This product is packaged in tray. (30pcs/tray)
 - 2 Blemish and hit mark can be occurred through out the manufacturing process which doesn't affect quality level. Also, black spot could be observed on the surface of housing.
 - 3 For the contact NO., adjacent two pairs of leads placed back-to-back (4 leads in total) compose one line.
 - 4 Misalignment absorbing range: $\pm 0.3 \text{ mm}$ max.
 - 5 The dimension in parentheses are for references.
 - 6 Lot NO. is indicated at either one of the position as shown.
 - 7 Possible short shot and/or burr at the indicated area does not affect the product quality.

2	Copper alloy	Contact area: Gold-plating $0.1 \mu\text{m}$ Lead area: Tin-plating $1.0 \mu\text{m}$ Under plating: Nickel $1.0 \mu\text{m}$	4	Phosphor bronze	Tin-plating $3.0 \mu\text{m}$ Under plating: Nickel $1.0 \mu\text{m}$			
1	Polyamide	Black UL94V-0	3	Copper alloy	Contact area: Gold-plating $0.1 \mu\text{m}$ Lead area: Tin-plating $1.0 \mu\text{m}$ Under plating: Nickel $1.0 \mu\text{m}$			
NO.	MATERIAL	FINISH . REMARKS	NO.	MATERIAL	FINISH . REMARKS			
UNITS		SCALE	COUNT	DESCRIPTION OF REVISIONS		DESIGNED	CHECKED	DATE
mm		2 : 1	Δ	APPROVED : HS. OKAWA	14.09.12	DRAWING NO.	EDC3-350408-00	
			CHECED : KN. SHIBUYA	14.09.12	PART NO.	FX30B-2S-7.62DS		
HIROSE ELECTRIC CO., LTD.			DESIGNED : DK. AIMOTO	14.09.12	CODE NO.	CL570-3604-7-00		
			DRAWN : DK. AIMOTO	14.09.12		Δ 1/2		

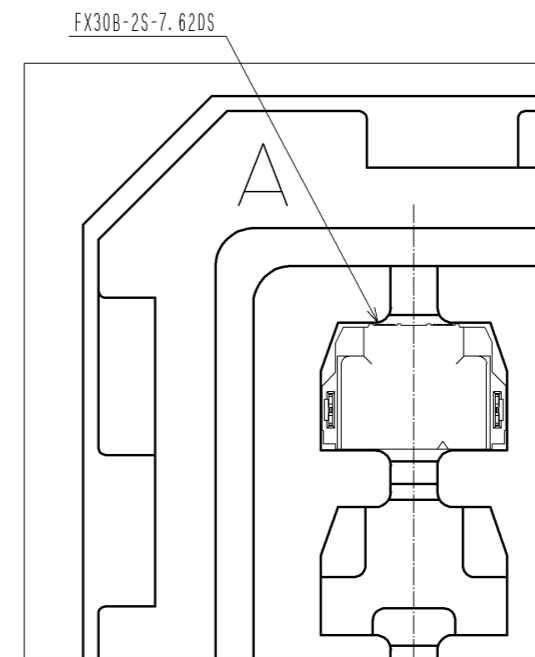
Recommended hole pattern dimension of PCB(5:1)
(Connector mounting side, PCB thickness: t=1.6mm)



1 Drawing for packaging(1:2)



A(1:1)



HRS	DRAWING NO.	EDC3-350408-00	2/2
	PART NO.	FX30B-2S-7.62DS	
	CODE NO.	CL570-3604-7-00	